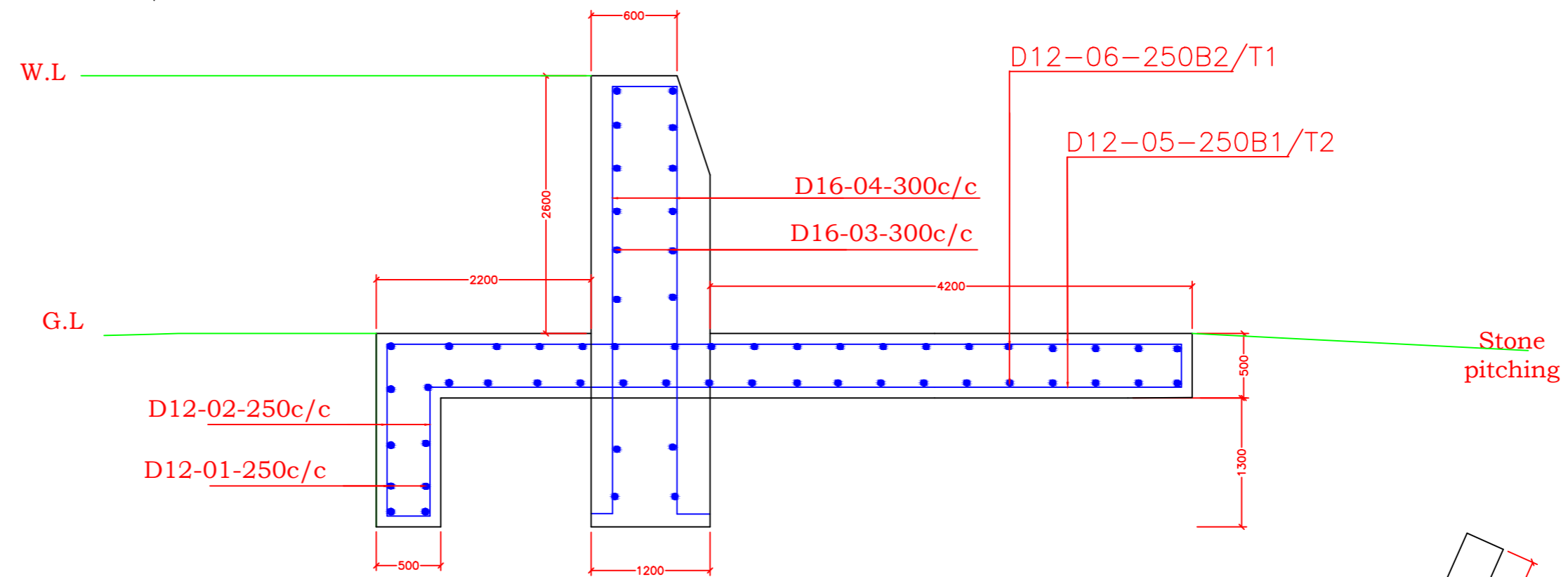
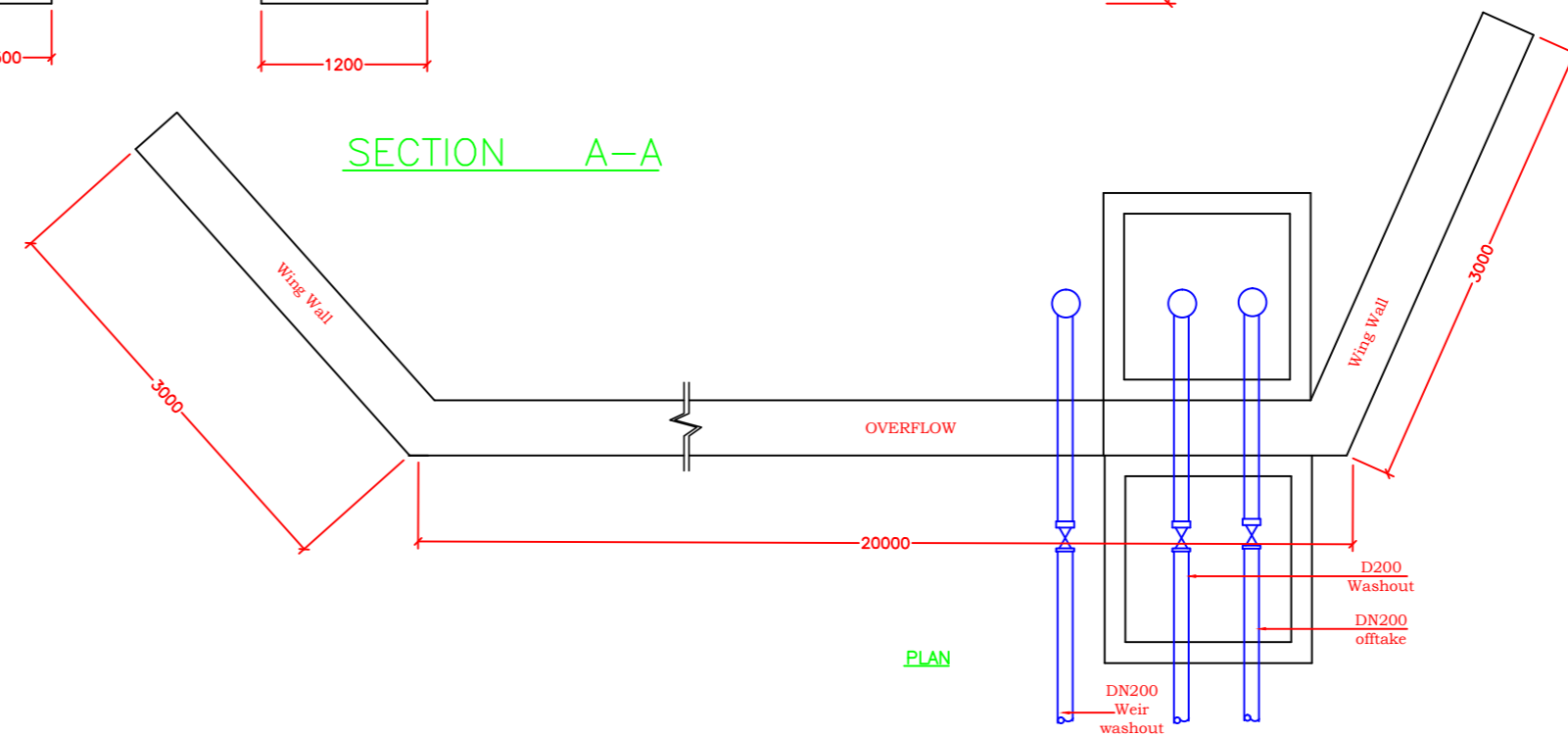


FRONT VIEW



SECTION A-A



PLAN

Reinforced concrete to be vibrated
 Dimensions to be figured based on site orientation
 Not drawn to scale
 Dimensions in mm

DESIGNED BY:KURGAT
 DRAWN BY:KURGAT
 CHECKED BY:SALEE
 APPROVED BY:C. M. MURAGE

CLIENT
 CENTRAL RIFT VALLEY WATER WORKS
 DEVELOPMENT AGENCY
 P.O BOX 2451-20100
 NAKURU

DRAWING TITLE
 PROPOSED INTAKE WEIR

